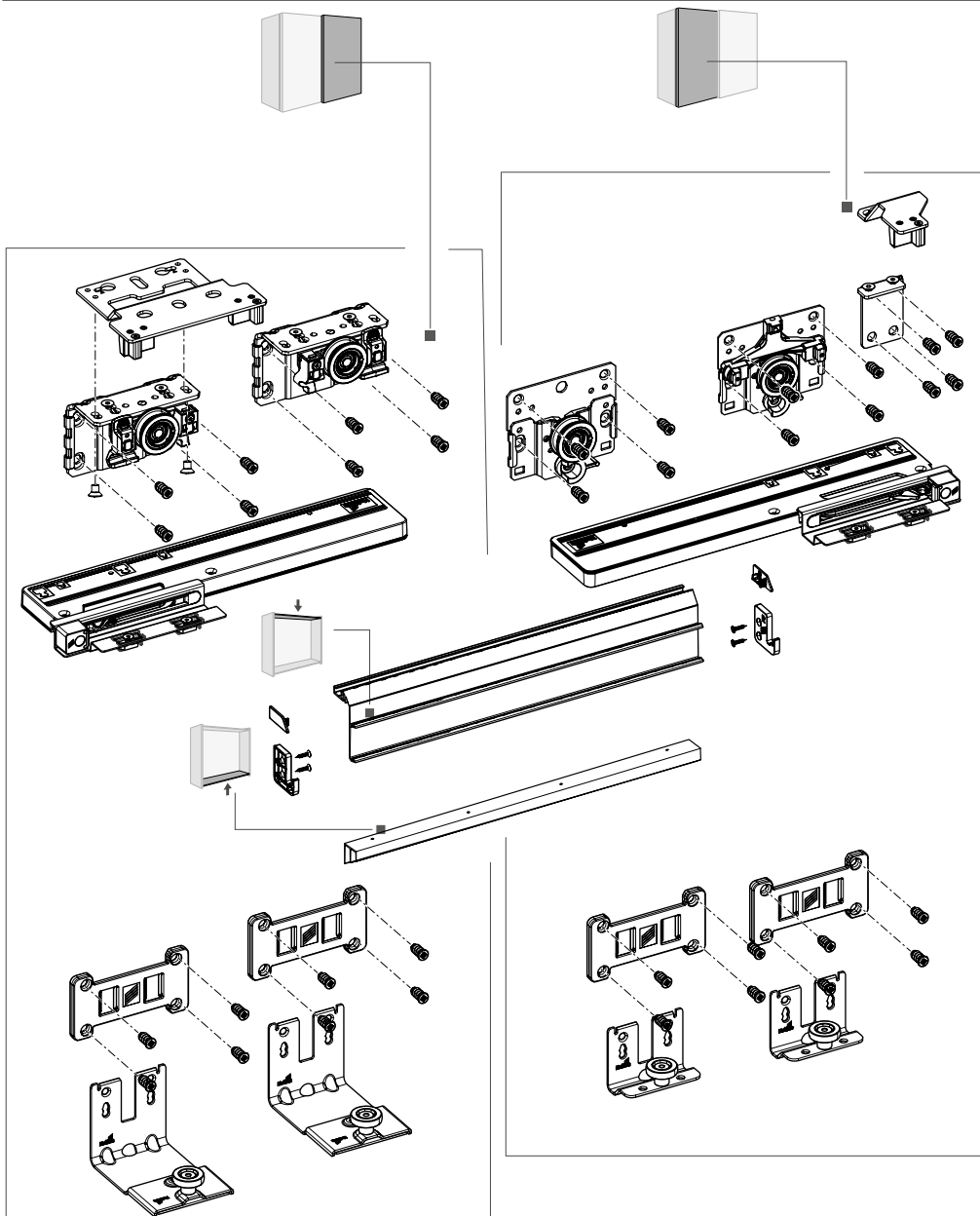
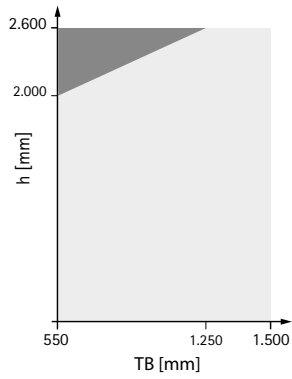
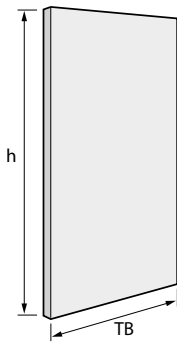
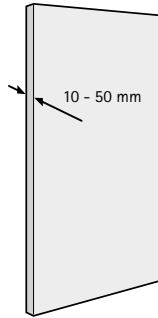
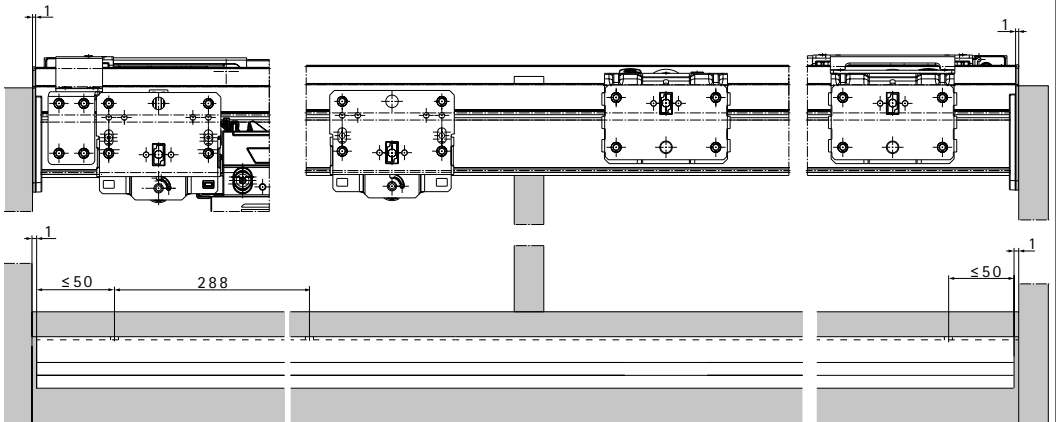
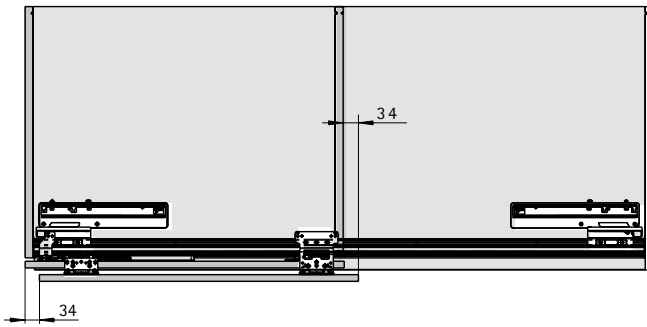
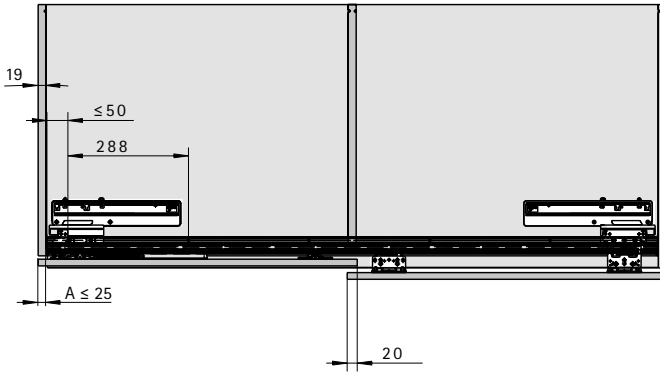


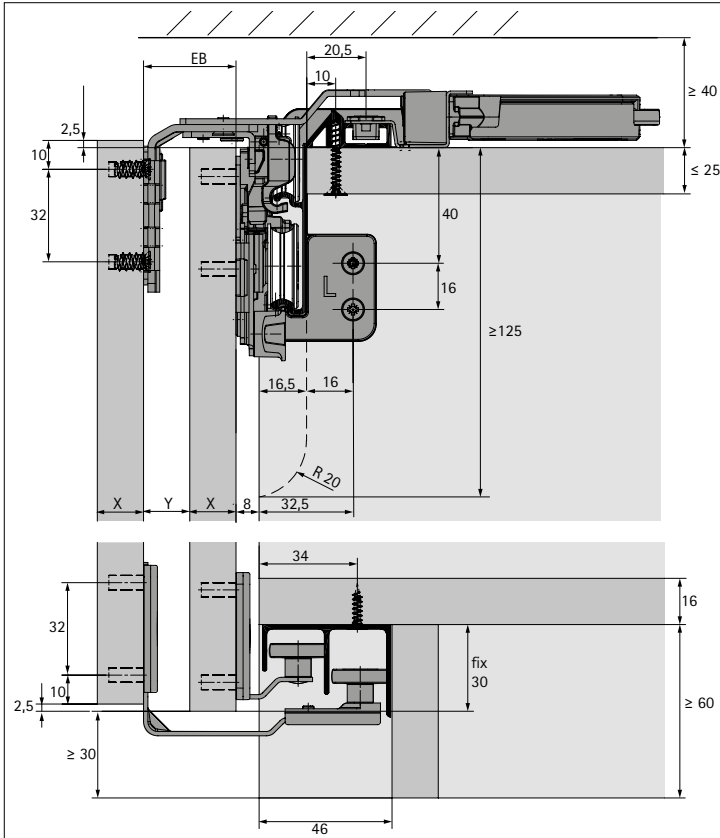


TopLine L

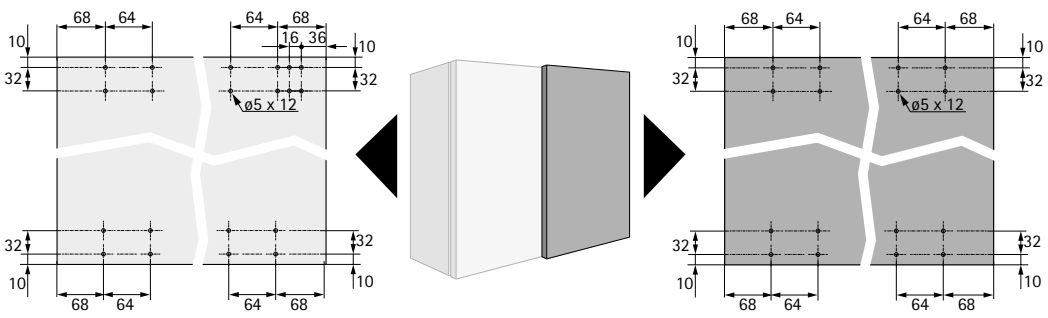
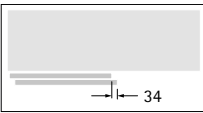
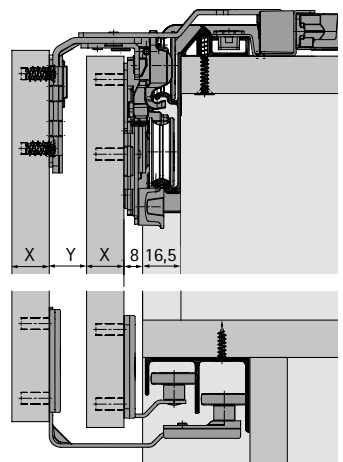


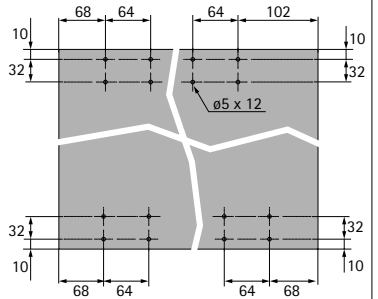
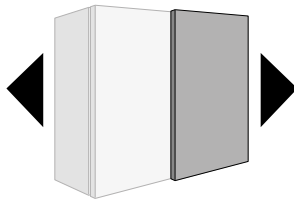
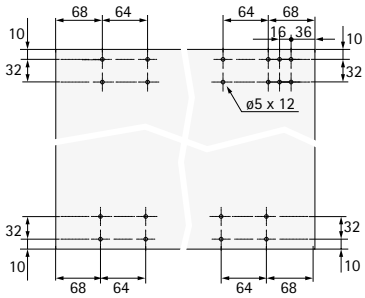
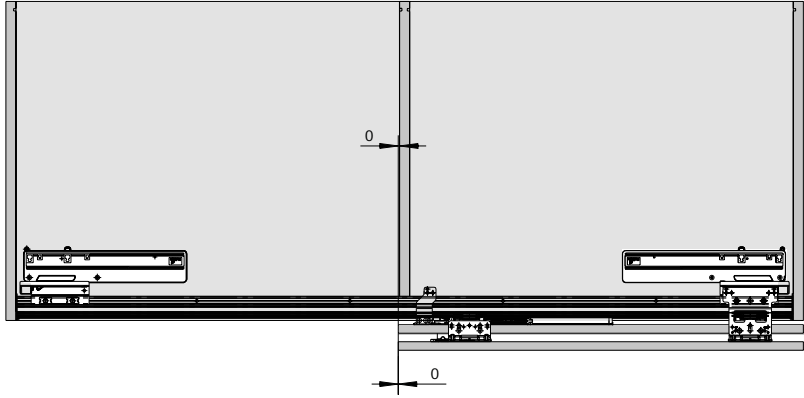
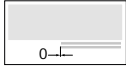


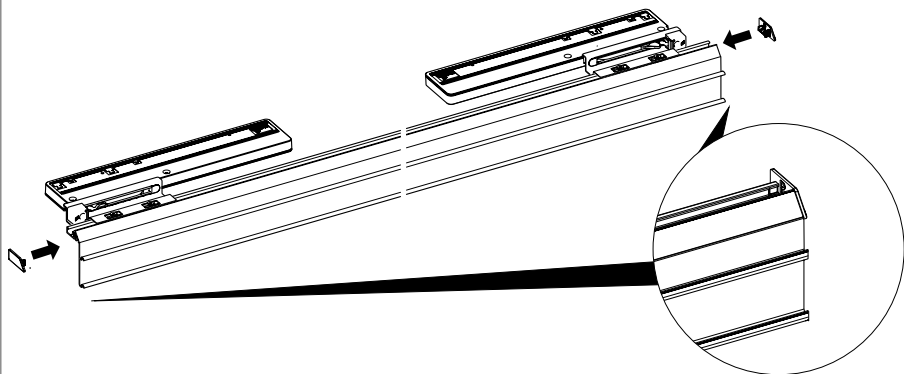
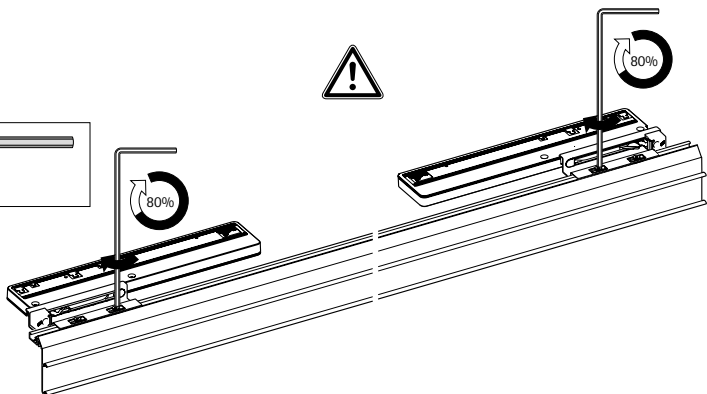
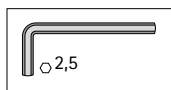
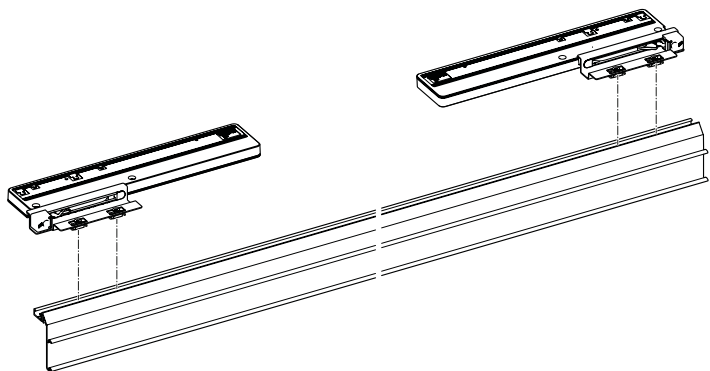


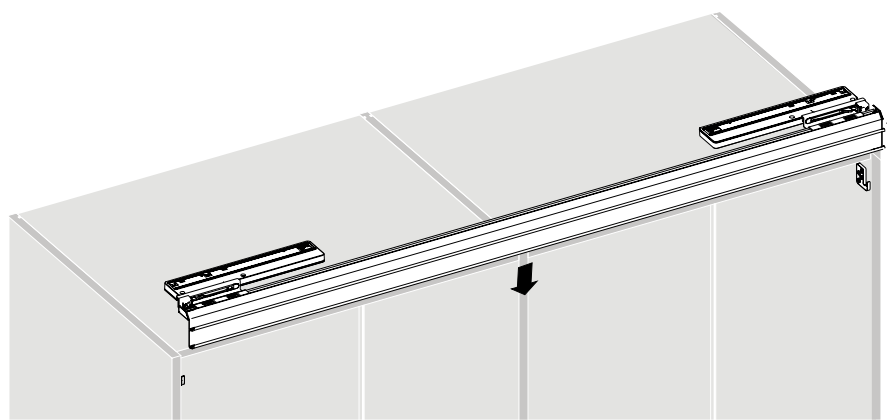
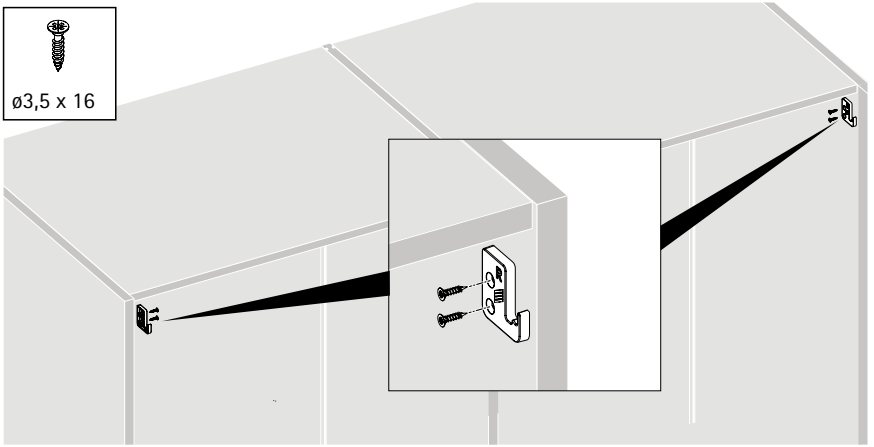
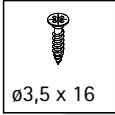


EB	X	Y
24	10/12	12/14
29	16	13
32	20	12
36	25	11
42	30	12
47	35	12
52	40	12
62	50	12







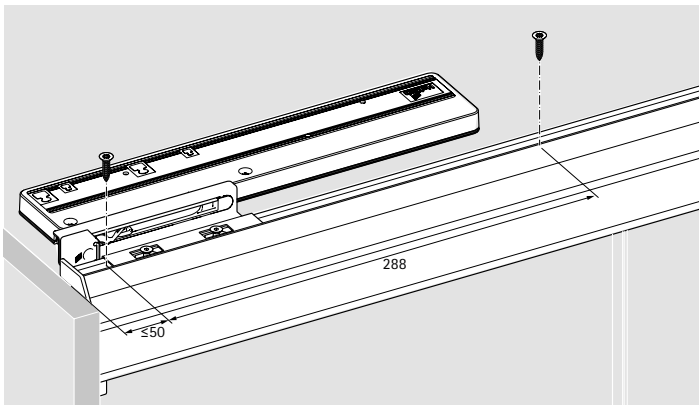




A



Ø3,5 x 16



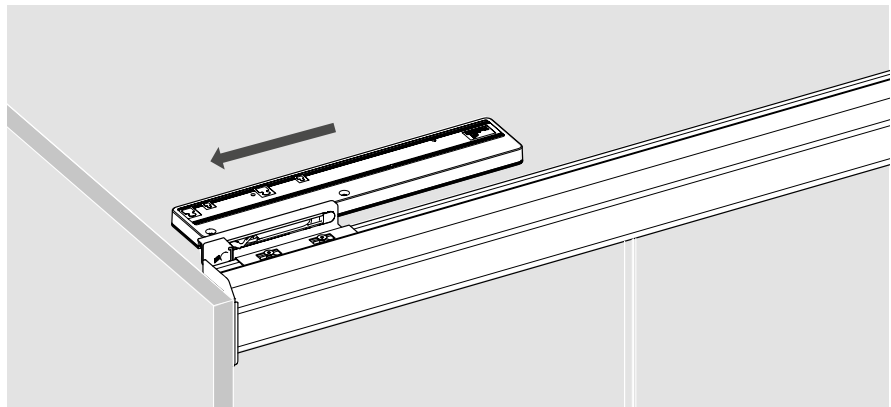
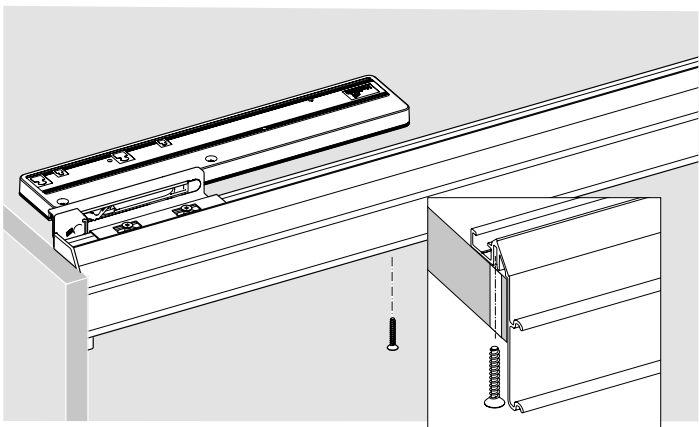
B

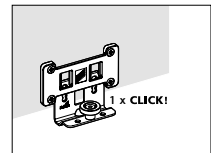
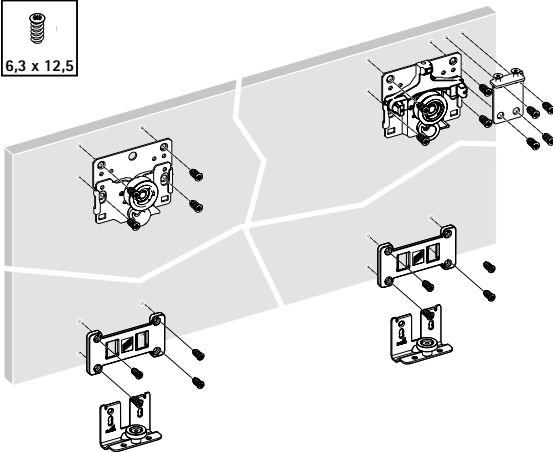
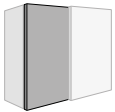
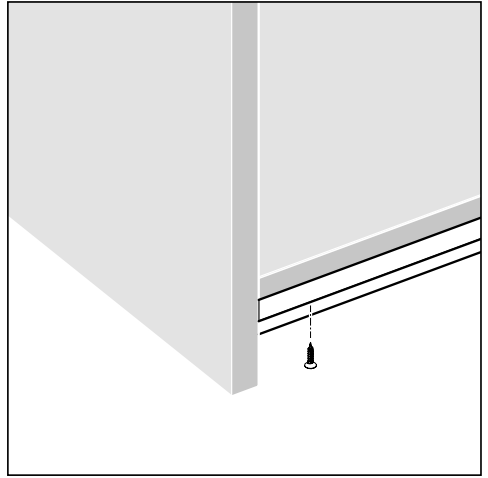
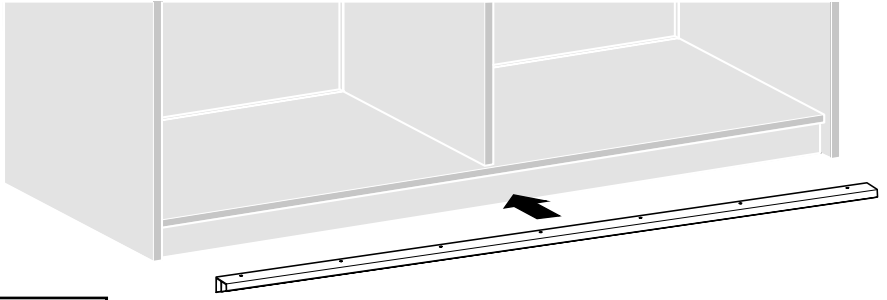


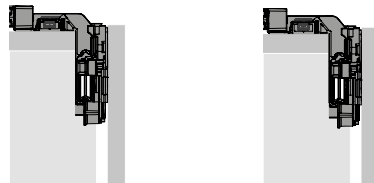
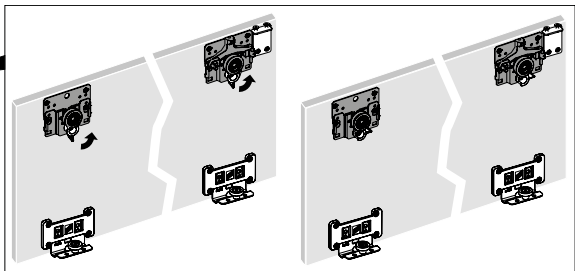
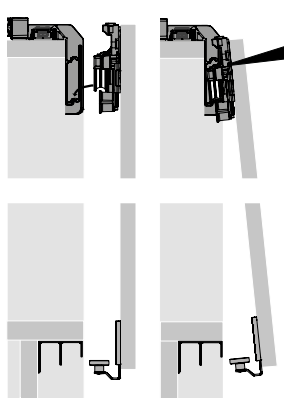
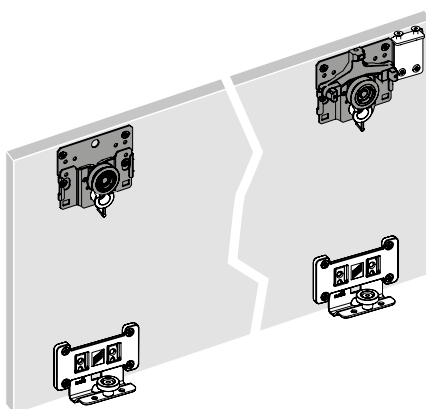
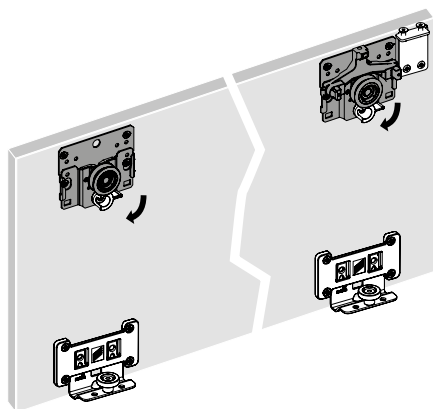
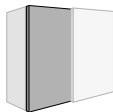
Ø4 x 25 16 - 19

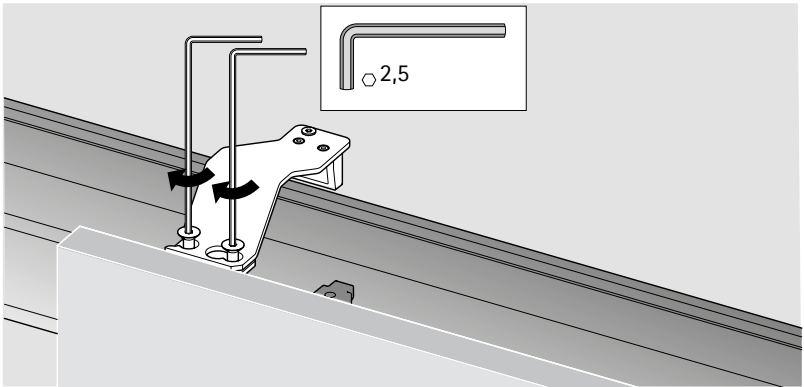
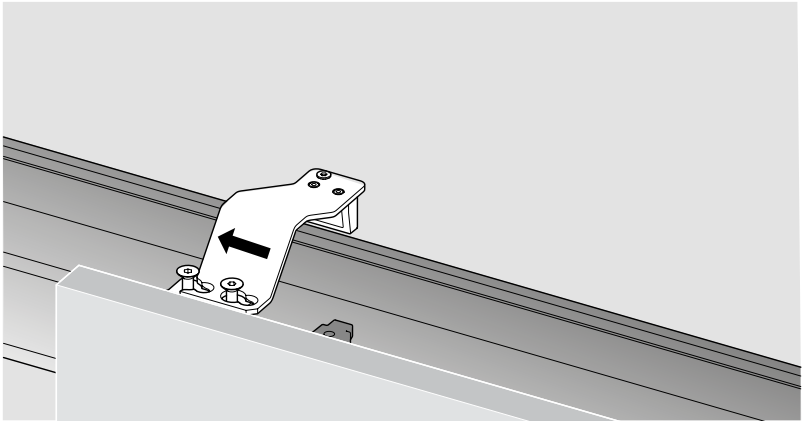
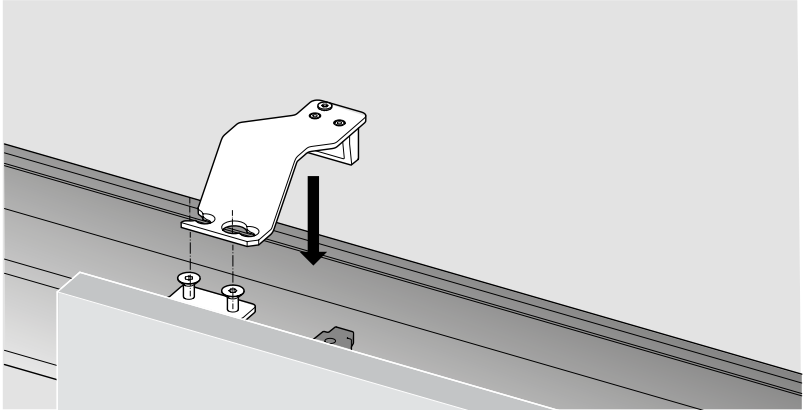
Ø4 x 28 20 - 22

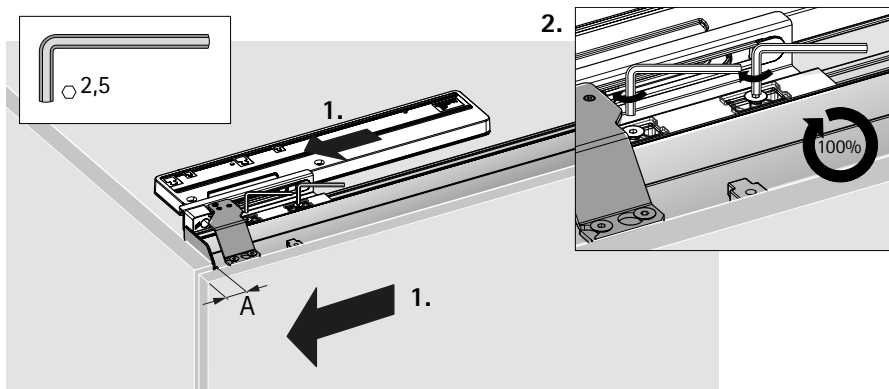
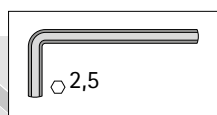
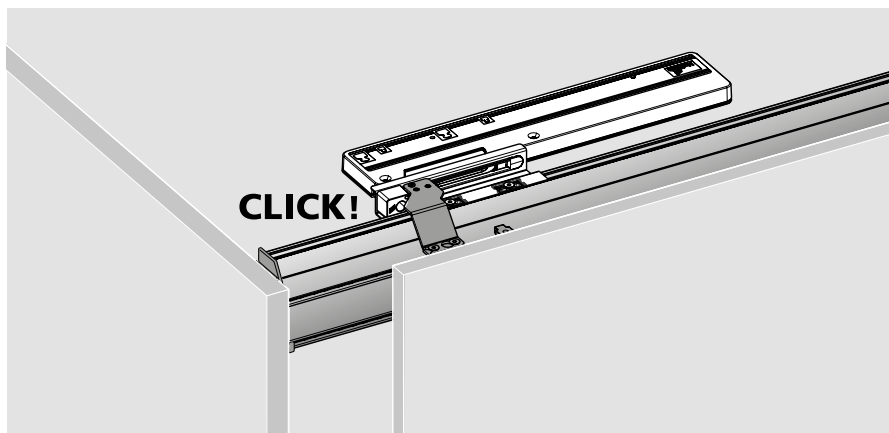
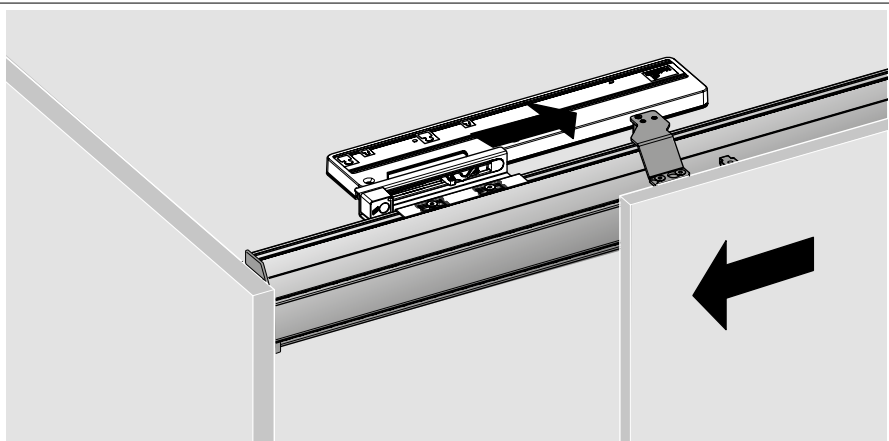
Ø4 x 31 22 - 25

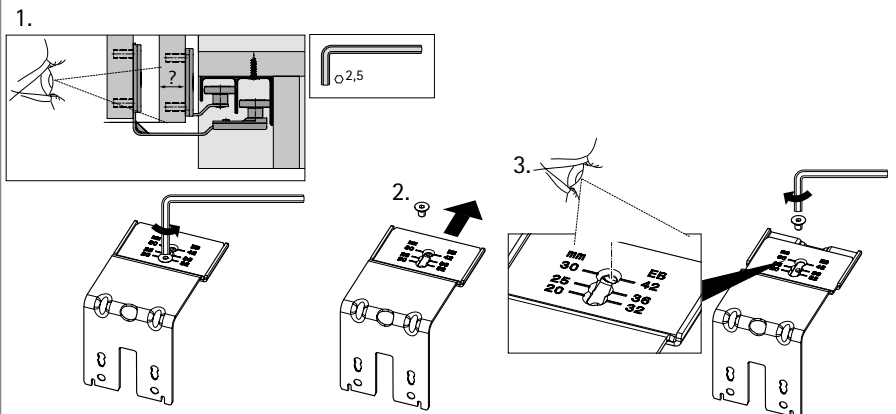
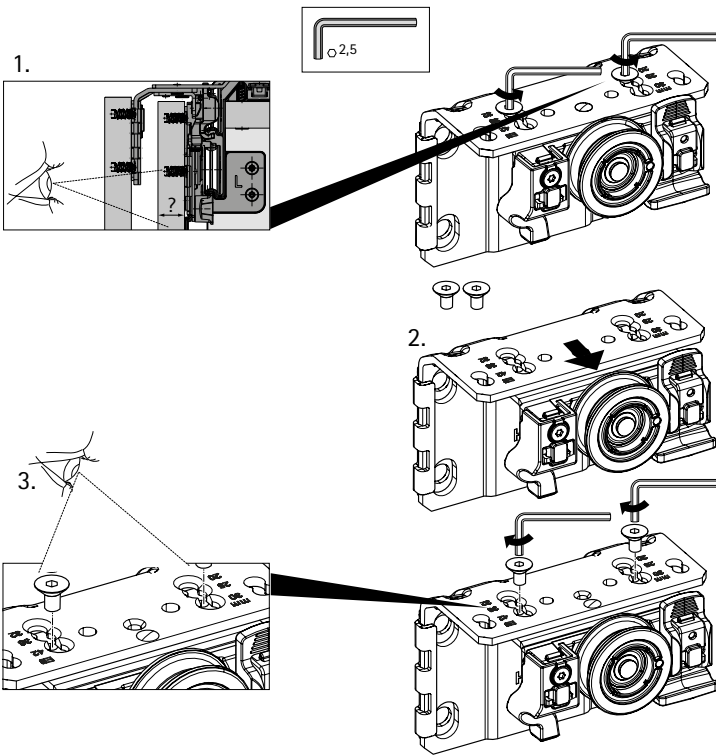
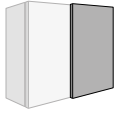


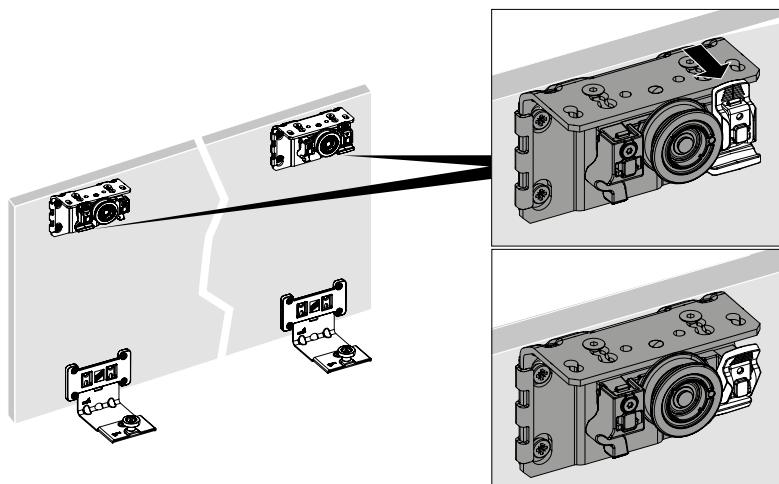
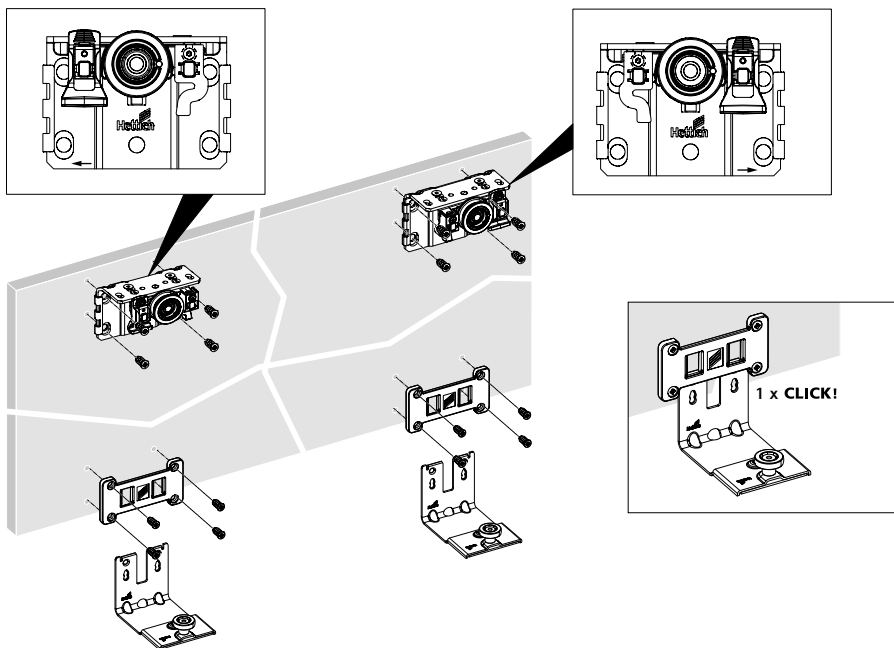


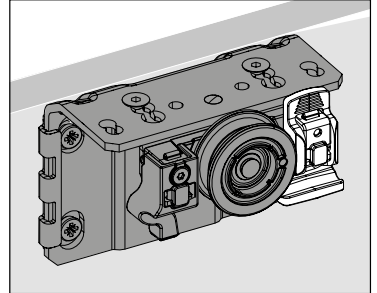
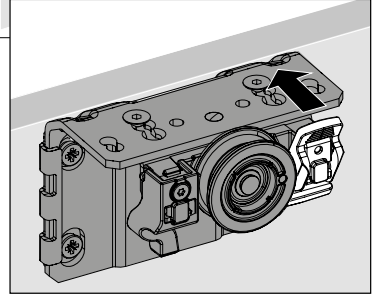
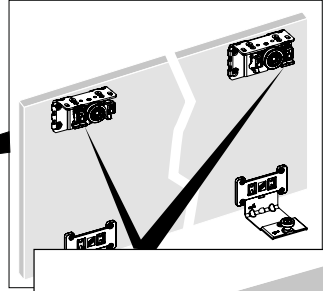
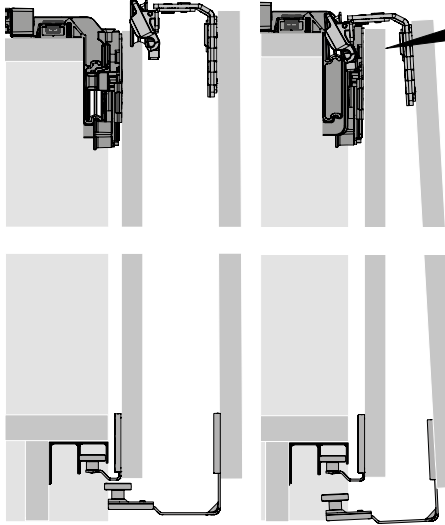
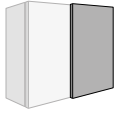












CLICK!

